



Contributing to safer and smarter pipe network flow control

Swing Check Valve

KAMROO HOLDING GROUP CO., LTD.

ADD No.28, Yongxing Road, Jianshan
New District, Jiaying City, Zhejiang, China

TEL +86 (0)573 87979999 Ext 8068
+86 (0)573 8797 5353

WEB www.kamroo.com

E-MAIL info@kamroo.com





EST.2012

BRIFE INTRODUCTION

Contributing to safer and smarter pipe network flow control

Founded in 2012, KAMROO Holding Group is an innovative integrator focusing on "smart" manufacturing of valves. The core products are suitable for tough working applications such as low temperature, high temperature, high pressure, strong corrosion, and solids mixed medium. KAMROO products are suitable for industries such as Oil&Gas, Refinery, Chemical, Natural Gas, Power Plant, Metallurgy, Electronics, and new energy. The equivalent standards cover many industrial pipelines fields.

KAMROO strives to create an automation, digital, and intelligent platform, integrates profound technical accumulation and professional wisdom of the team. We also provide superior product support and technical services for domestic and international clients, as well as provide customized solutions for end user.

KAMROO adheres to customer-oriented principle and guarantees system compatibility. We will continue to maintain the attitude and belief of concentration and ingenuity, adhering to safer, more reliable and smarter pipeline flow control technology and advanced design concepts to help you optimize the working application, improve the efficiency and save the costs.

With a flexible and open attitude, KAMROO listens to the voice of the market and embraces multiculturalism. KAMROO focuses on the construction of a global service system, and strives to become the preferred partner in the field of flow control. No matter where you are in the world, we look forward to keeping in close contact with you to understand your specific needs and provide precise services.



CE



CE Cert

EAC



EAC Cert



API 6D cert



Service Cert

QUALIFICATION CERTIFICATE



ISO



ISO 15848-1

ISO



ISO 14001:2015

ISO



ISO 45001:2018

ISO



ISO 9001:2015

SWING CHECK VALVE

Contributing to safer and smarter pipe network flow control

DESIGN STANDARDS	API6D, API594, ASMEB16.34, BS1868 etc.
SIZE RANGE	NPS2~NPS48, DN50~DN1200
NOMINAL PRESSURE	CLASS150~CLASS2500
CONNECTION	RF, RTJ, BW, etc.
MATERIALS	ASTM A216 WCB, ASTM A352 LCB, ASTM A217 WC6, ASTM A351 CF8, ASTM A351 CF8M, A995 4A, etc.
APPLICABLE TEMPERATURE	-29°C~425°C
APPLICABLE MEDIUM	Oil, Gas, Water, Steam, etc.
OPERATION	N/A

BODY/BONNET CONNECTION

KAMROO swing check valves are available with bolted and pressure-sealed bonnet, depending on its pressure rating or customer requirements.

BODY/BONNET SEALING

KAMROO offers stainless steel with graphite spiral wound gaskets for swing check valves in pressure rating Class 15 to Class 600, and Octagonal ring fittings as standard for swing check valves in pressure rating Class 900 and above. Pressure seal bonnet design are usually used for valve pressure rating Class 900 and above to make it sealed. The common used material for the gasket is flexible steel ring or graphite.

REPLACEABLE AND INTEGRAL SEAT DESIGN

KAMROO swing check valves are available of both replaceable seat and integral seat design. Swing check valves are usually with replaceable seat ring either threaded with welding or welded on to body directly. For stainless steel and high temperature swing check valves, it is recommended that the valve seat is designed as integral valve seat or body sealing surface with hard surfacing welding.

SWING TYPE DISC

The valve disc is mounted horizontally and swings on a hinge pin. When the flow moves from upstream, the valve disc swings open, and when the pressure drops, the valve disc closes due to gravity.

HINGE ASSEMBLY

The hinge pin is located near the center of gravity of the disc. The hinge arm is designed to withstand the shock load of rapid closing to ensure a longer service life and continuous closing. It also has an integral disc stop that provides a positive stop in the open position. The hinge pin is precision machined for maximum strength and service life.

DISC STOP DEVICE

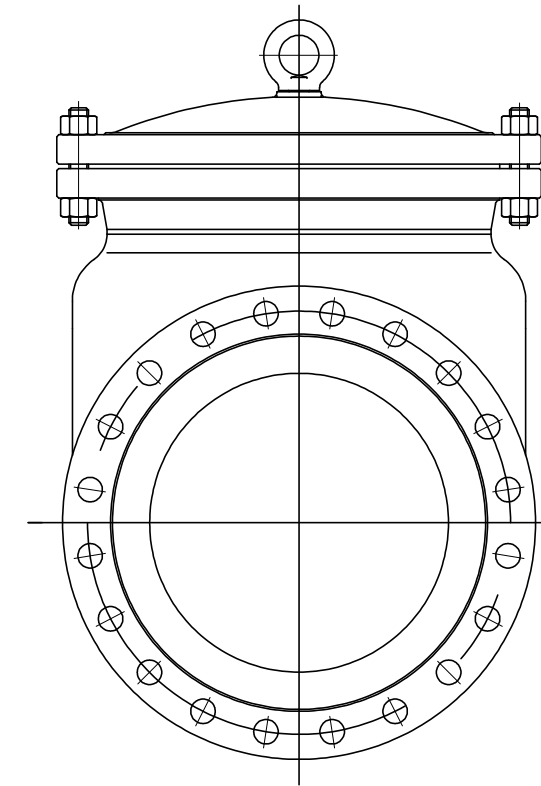
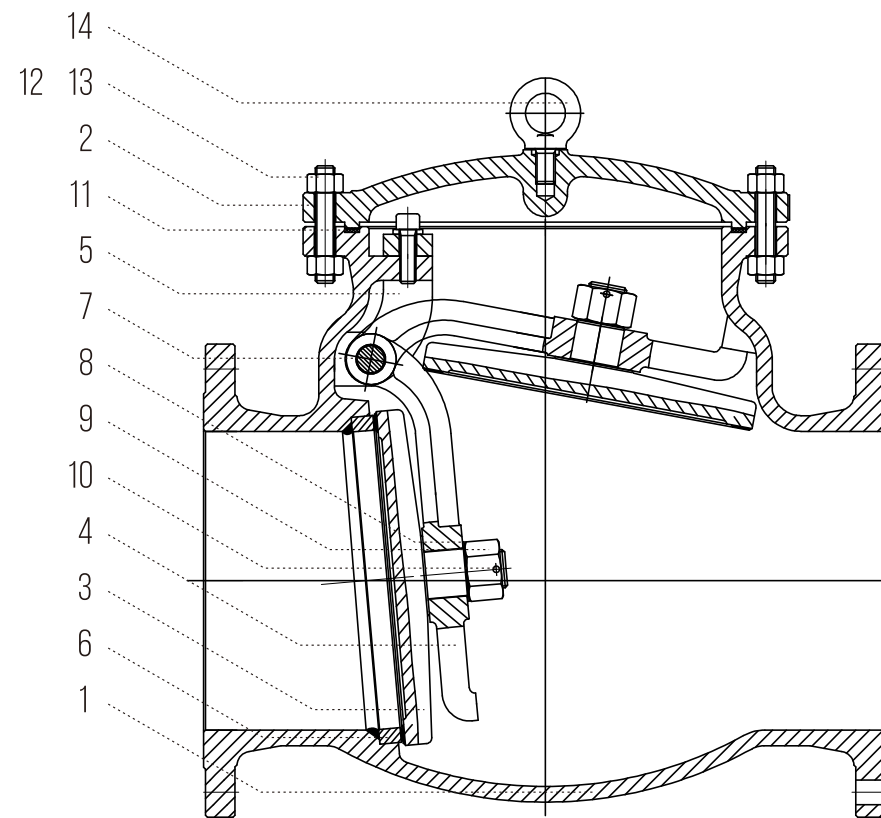
The swing check valve has the disc stop device to prevent disc from being opened too high, thus causing failure to be closed down.

HIGH INTENSITY ROCKER ARM

The valve rocker arm is given enough intensity. Upon being closed down, it has enough freedom for the close-down of the valve disc.

HIGH INTENSITY DISC

KAMROO swing check valve disc has high intensity and rigidity. The disc sealing surface can be built-up welded with metal material or inlaid with non-metal material responding to customers' requests.



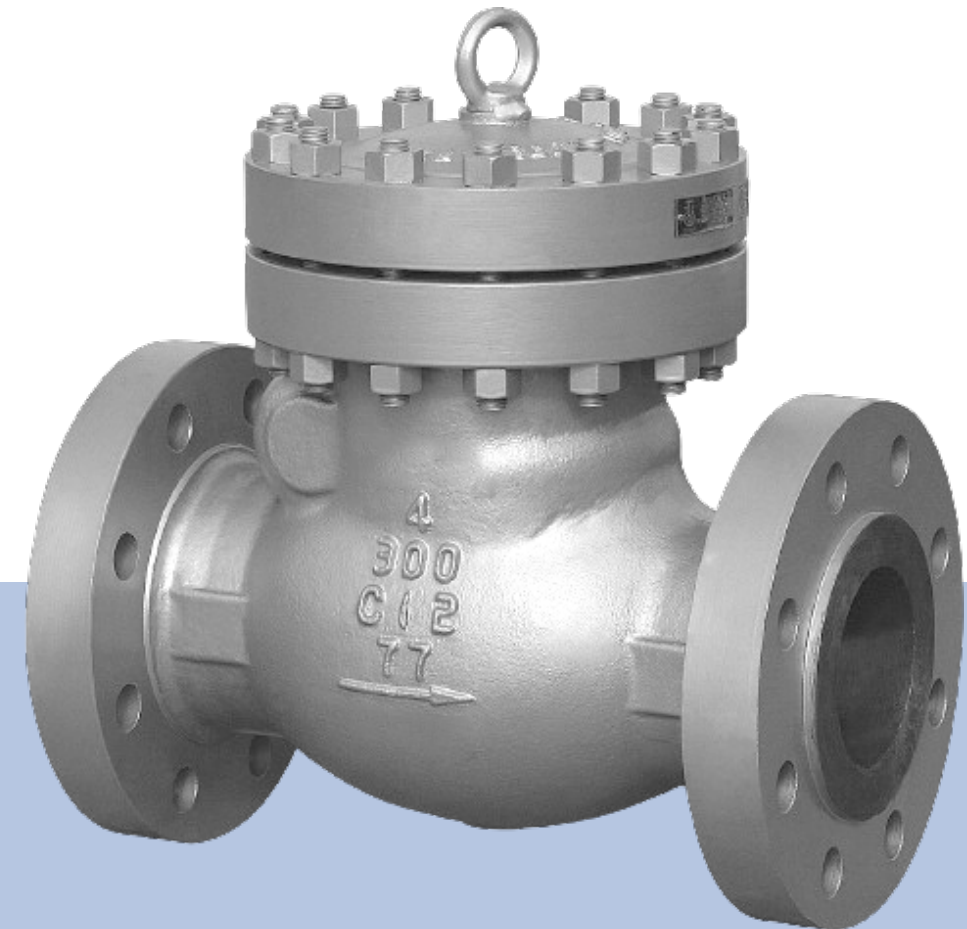
Contributing to safer and smarter pipe network flow control

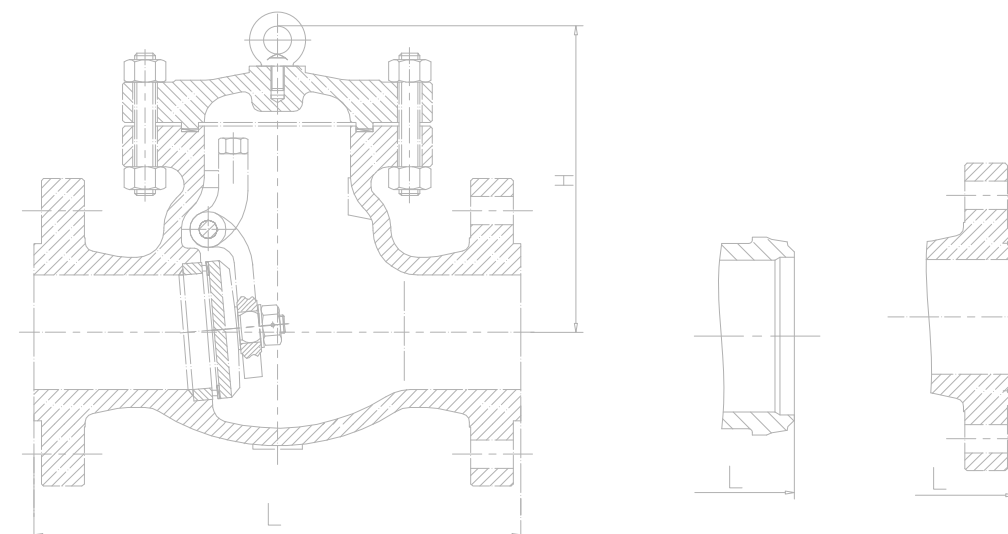
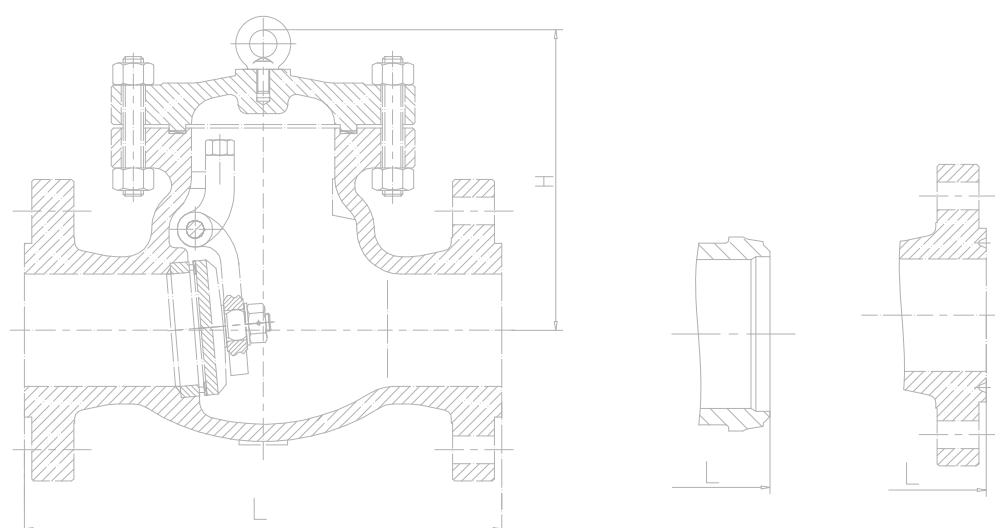
NO.	PART NAME	CARBON STEEL	CR-MO STEEL	STAINLESS STEEL	L.T. CARBON STEEL	DUPLEX STAINLESS STEEL	AL-BRONZE
1	Body	A216 WCB	A217 WC6	A351 CF8M	A352 LCB	A995 5A	B148 C95800
2	Bonnet	A216 WCB	A217 WC6	A351 CF8M	A352 LCB	A995 5A	B148 C95800
3	Disc	A216 WCB+13Cr	A217 WC6+HF	A351 CF8M	A352 LCB+HF	A995 5A	B148 C95800
4	Hinge	A216 WCB	A217 WC6	A351 CF8M	A352 LCB	A995 5A	B148 C95800
5	Hinge connector	A216 WCB	A217 WC6	A351 CF8M	A352 LCB	A995 5A	B148 C95800
6	Seat ring	A105+13Cr	A182-F11 + HF	A182 F316	A350 LF2+ HF	A182 F53	INTEGRAL
7	Hinge pin	A276 410	A276 410	A276 316	A276 304	A182 F53	A182 F53
8	Disc washer	A276 410	A276 304	A276 316	A276 304	A182 F53	A182 F53
9	Disc nut	A194 2H	A194 4	A194 8M	A194 7	A182 F53	A182 F53
10	Disc nut pin	A276 410	A276 420	A276 316	A276 304	A182 F53	A182 F53
11	Gasket	SPW SS304+Graphite	SPW SS304+Graphite	SPW SS304+Graphite	SPW SS304+Graphite	SPW SS304+Graphite	SPW SS304+Graphite
12	Stud	A193 B7	A193 B16	A193 B8M	A320-L7	A193 B8M	A193 B8M
13	Stud nut	A194 2H	A194 4	A194 8M	A194 7	A194 8M	A194 8M
14	Eye blot	Carbon Steel	Carbon Steel	Carbon Steel	Carbon Steel	Carbon Steel	Carbon Steel

Optional Body Material:
A105/WCC, A352 LCB/LCC, A351 CF8/CF3/CF8M/CF3M, A890 4A/5A/6A, B148 C95800, Alloy Steel ect..

Contributing to safer and smarter pipe network flow control

SWING CHECK VALVE

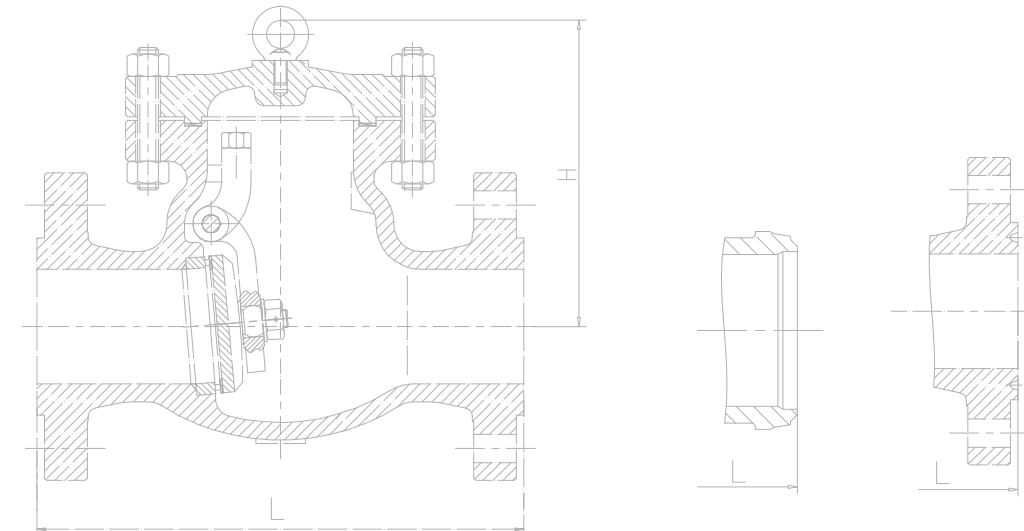
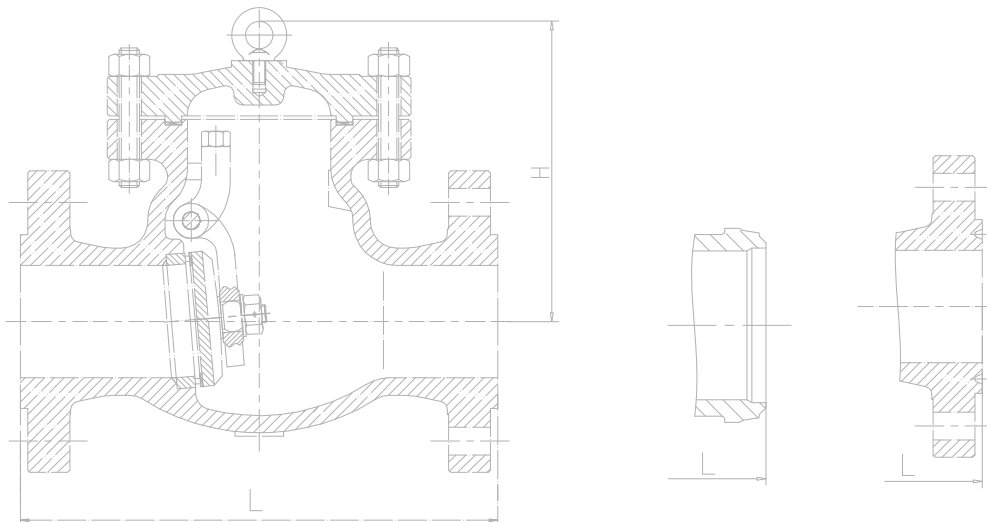



CLASS 150

DN	NPS	RF/FF	L				Weight (kg)	
			RTJ	BW	H	RF/RJ	BW	
50	2	203	216	203	152	14	10	
65	2 1/2	216	229	216	165	20	12	
80	3	241	254	241	175	25	17	
100	4	292	305	292	204	40	29	
150	6	356	368	356	293	71	57	
200	8	495	508	495	353	118	96	
250	10	622	635	622	390	177	143	
300	12	699	711	699	432	263	227	
350	14	787	800	787	475	353	295	
400	16	864	876	864	525	542	468	
450	18	978	991	978	582	632	552	
500	20	978	991	978	627	855	755	
600	24	1295	1308	1295	883	970	831	
650	26	1295	-	1295	940	1600	1420	
700	28	1448	-	1448	940	1600	1420	
750	30	1524	-	1524	980	1990	1760	
900	36	1956	-	1956	1220	2760	2230	

CLASS 300

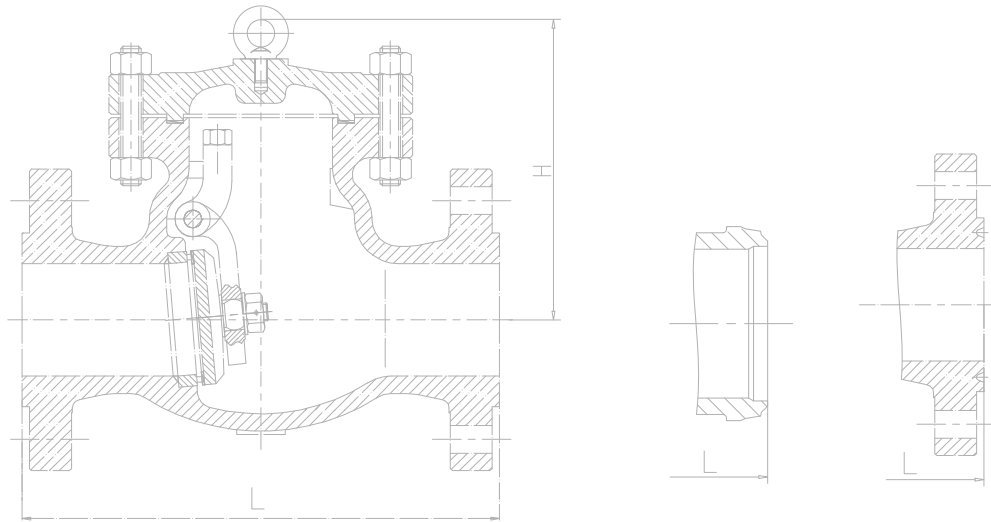
DN	NPS	RF/FF	L				Weight (kg)	
			RTJ	BW	H	RF/RJ	BW	
50	2	267	283	267	152	16	11	
65	2 1/2	292	308	292	165	23	13	
80	3	318	333	318	175	29	18	
100	4	356	371	356	204	46	31	
150	6	445	460	445	292	82	61	
200	8	533	549	533	353	136	103	
250	10	622	638	622	390	204	155	
300	12	711	727	711	432	302	245	
350	14	838	854	838	475	405	315	
400	16	864	879	864	525	625	503	
450	18	978	994	978	582	730	593	
500	20	1016	1035	1016	627	985	812	
600	24	1346	1368	1346	883	1115	895	
650	26	1346	1372	1346	910	1465	1205	
700	28	1499	1524	1499	940	1840	1525	
750	30	1594	1619	1594	980	2290	1895	
900	36	2083	-	2083	1220	3180	2395	


CLASS 600

DN	NPS	L				Weight (kg)	
		RF/FF	RTJ	BW	H	RF/RJ	BW
50	2	292	295	292	190	24	16
65	2 1/2	330	333	330	205	35	19
80	3	356	359	356	222	44	26
100	4	432	435	432	255	70	44
150	6	559	562	559	368	125	87
200	8	660	664	660	445	207	147
250	10	787	791	787	490	310	220
300	12	838	841	838	540	460	350
350	14	889	892	889	595	615	452
400	16	991	994	991	655	945	720
450	18	1092	1095	1092	730	1105	845
500	20	1194	1200	1194	785	1495	1160
600	24	1397	1407	1397	1105	1695	1280

CLASS 900

DN	NPS	L				Weight (kg)	
		RF/FF	RTJ	BW	H	RF/RJ	BW
50	2	368	371	368	240	37	21
65	2 1/2	419	422	419	256	54	25
80	3	381	384	381	278	68	34
100	4	457	460	457	320	109	58
150	6	610	613	610	460	195	115
200	8	737	740	737	560	321	194
250	10	838	841	838	610	481	290
300	12	965	968	965	675	711	461
350	14	1029	1038	1029	745	956	597
400	16	1130	1140	1130	815	1468	950
450	18	1219	1232	1219	850	1870	1210
500	20	1321	1334	1321	985	2316	1533



CLASS 1500

DN	NPS	RF/FF	L		H	Weight (kg)	
			RTJ	BW		RF/RJ	BW
50	2	368	371	368	240	40	29
65	2 1/2	419	422	419	256	63	47
80	3	470	473	470	330	70	49
100	4	546	549	546	375	115	84
150	6	705	711	705	480	250	152
200	8	832	841	832	595	470	310
250	10	991	1000	991	660	740	470
300	12	1130	1146	1130	740	1100	710
350	14	1257	1276	1257	785	1410	910
400	16	1384	1407	1384	835	1600	1100

CLASS 2500

DN	NPS	RF/FF	L		H	Weight (kg)	
			RTJ	BW		RF/RJ	BW
50	2	451	454	451	275	50	35
65	2 1/2	508	514	508	335	76	55
80	3	578	584	578	350	85	68
100	4	673	683	673	385	165	115
150	6	914	927	914	495	460	225
200	8	1022	1038	1022	625	900	580
250	10	1270	1292	1270	712	1300	860
300	12	1422	1445	1422	905	1800	1150