



Contributing to safer and smarter pipe network flow control

Dual Plate Check Valve

KAMROO HOLDING GROUP CO., LTD.

ADD No.28, Yongxing Road, Jianshan
New District, Jiaxing City, Zhejiang, China

TEL +86 (0)573 87979999 Ext 8068
+86 (0)573 8797 5353

WEB www.kamroo.com

E-MAIL info@kamroo.com





EST.2012

BRIFE INTRODUCTION

Contributing to safer and smarter pipe network flow control

Founded in 2012, KAMROO Holding Group is an innovative integrator focusing on "smart" manufacturing of valves. The core products are suitable for tough working applications such as low temperature, high temperature, high pressure, strong corrosion, and solids mixed medium. KAMROO products are suitable for industries such as Oil&Gas, Refinery, Chemical, Natural Gas, Power Plant, Metallurgy, Electronics, and new energy. The equivalent standards cover many industrial pipelines fields.

KAMROO strives to create an automation, digital, and intelligent platform, integrates profound technical accumulation and professional wisdom of the team. We also provide superior product support and technical services for domestic and international clients, as well as provide customized solutions for end user.

KAMROO adheres to customer-oriented principle and guarantees system compatibility. We will continue to maintain the attitude and belief of concentration and ingenuity, adhering to safer, more reliable and smarter pipeline flow control technology and advanced design concepts to help you optimize the working application, improve the efficiency and save the costs.

With a flexible and open attitude, KAMROO listens to the voice of the market and embraces multiculturalism. KAMROO focuses on the construction of a global service system, and strives to become the preferred partner in the field of flow control. No matter where you are in the world, we look forward to keeping in close contact with you to understand your specific needs and provide precise services.



QUALIFICATION CERTIFICATE



API 6D cert



CE Cert



EAC Cert (CU-TR)



Service Cert



ISO 15848-1



ISO 9001



ISO 14001



ISO 45001

DUAL PLATE CHECK VALVE

Contributing to safer and smarter pipe network flow control

DESIGN STANDARDS	API594, API6D, ASMEB16.34, etc.
SIZE RANGE	NPS2~NPS48, DN50~DN1200
NOMINAL PRESSURE	CLASS150~CLASS2500
CONNECTION	RF, RTJ, BW, etc.
MATERIALS	ASTM A216 WCB, ASTM A352 LCB, ASTM A217 WC6, ASTM A351 CF8, ASTM A351 CF8M, A995 4A, etc.
APPLICABLE TEMPERATURE	-29°C~425°C
APPLICABLE MEDIUM	Oil, Gas, Water, Steam, etc.
OPERATION	N/A

FLAT SEAT DESIGN

The flat seat design of dual plate check valve can eliminate any possibility of board snaps in the seat.

SPRING ACTIVATED DISC

The spring activated discs are designed to close valves quickly, which alleviates water hammer so that the valves can better protect the equipment and the pipeline.

INDEPENDENT PLATE

The plates do not depend on the pressure or flow to center to the sealing surface to seal, which avoids the risk of note being closed at lower pressure or lower flow.

LOWER PRESSURE DROP

The dual plate check valve consists of two semi-discs hinged around a central pin that opens when upstream pressure exceeds downstream pressure, closing when flow velocity decreases, thus decreasing flow resistance without reverse flow requirement, thus avoiding system surges and water hammer.

REDUCED WATER HAMMER

The dual plate check valves use two spring-loaded plates hinged on a central hinge pin to reduce flow resistance when required. Employing torsion spring action without reverse flow, these plates close quickly without water hammer action – making it one of the most efficient designs in the industry.

LOW SLAMMING EFFECT

In horizontal installations, the dual plate check valve has a non-slam design. The plates of the valve are mounted vertically in the middle of the body. In reverse flow conditions, the velocity of the flow is less than zero, and the valve shuts. As a result of the flow, the valve's seat and plates are cushioned, which reduces slamming.

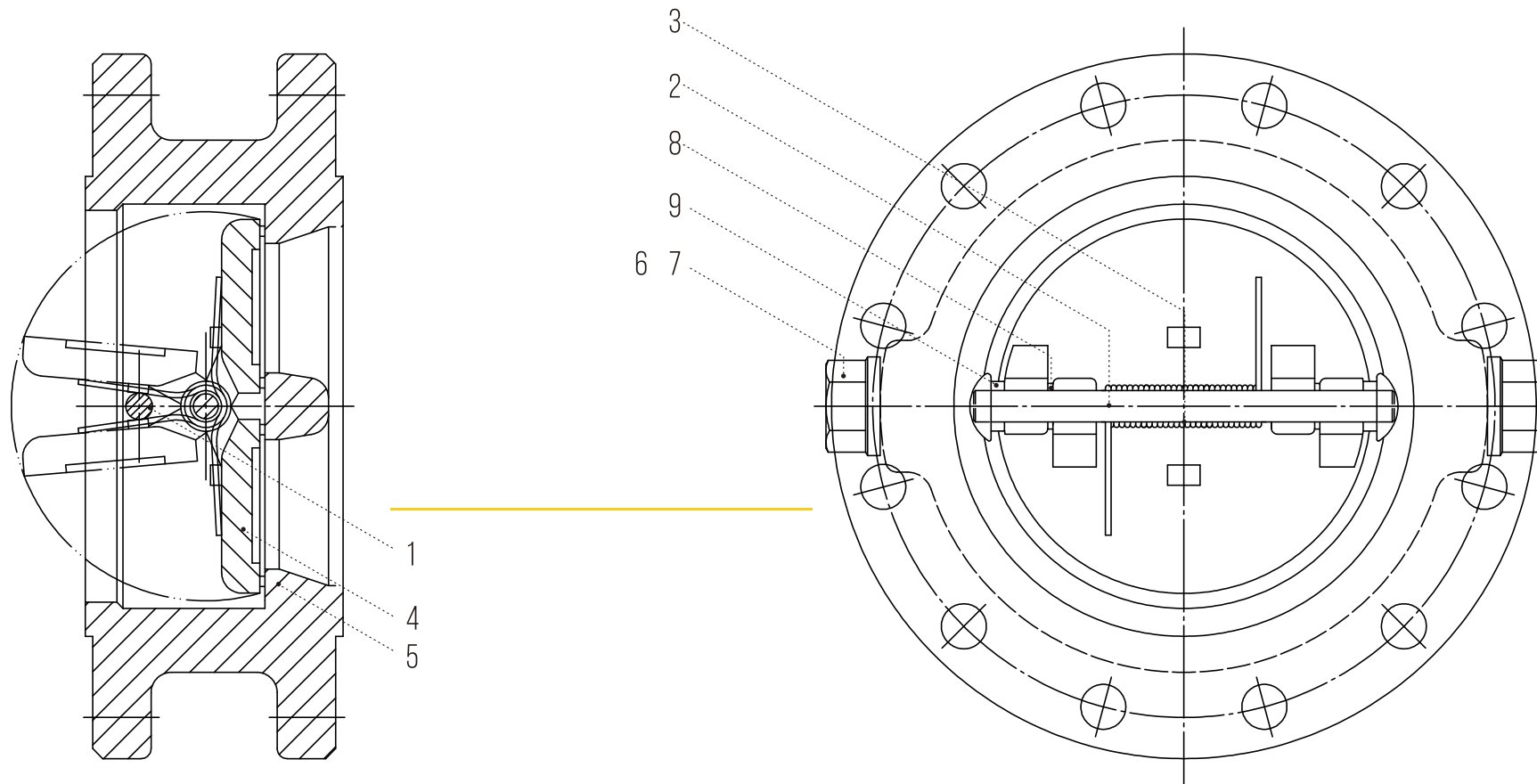
20% WEIGHT OF CONVENTIONAL VALVES

The dual plate check valve is just 20% weight of conventional valves, which can lower the purchase cost, making it easier to operate and maintain. Furthermore, its compact size and excellent hydrodynamic properties help minimize pressure losses.

EASY INSTALLATION

Light and compact designs make dual plate check valve easy to handle, enabling installation between pipe flanges without needing additional support or an extension rod.

Contributing to safer and smarter pipe network flow control



NO.	PART NAME	CARBON STEEL	
1	Stop Shaft	A182 F6a	A182 F6a
2	Shaft	A182 F6a	A182 F6a
3	Spring	Inconel X-750	Inconel X-750
4	Disc	A216 WCB + 13Cr	A352 LCB + 13Cr
5	Body	A216 WCB + 13Cr	A352 LCB + 13Cr
6	Screw	A193 B7	A320 L7
7	Gasket	A182 F6a	A182 F6a
8	Gasket	A182 F6a	A182 F6a
9	Bearing	A182 F6a	A182 F6a

STAINLESS STEEL			
A182 F304	A182 F316	A182 F304L	A182 F316L
A182 F304	A182 F316	A182 F304L	A182 F316L
Inconel X-750	Inconel X-750	Inconel X-750	Inconel X-750
A351 CF8	A351 CF8M	A351 CF3	A351 CF3M
A351 CF8	A351 CF8M	A351 CF3	A351 CF3M
A193 B8	A193 B8M	A193 B8	A193 B8M
A182 F304	A182 F316	A182 F304L	A182 F316L
A182 F304	A182 F316	A182 F304L	A182 F316L
A182 F304	A182 F316	A182 F304L	A182 F316L

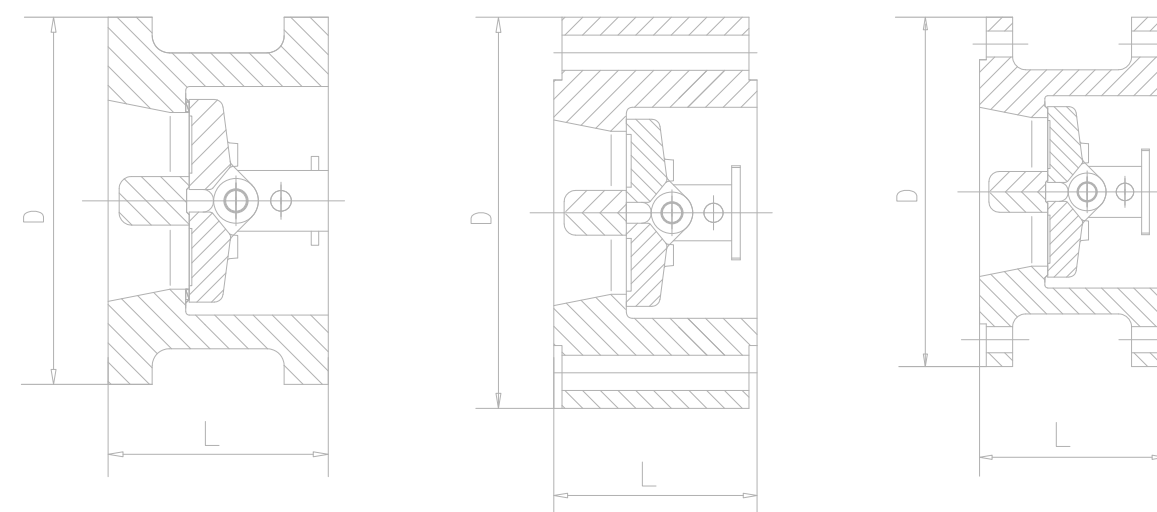
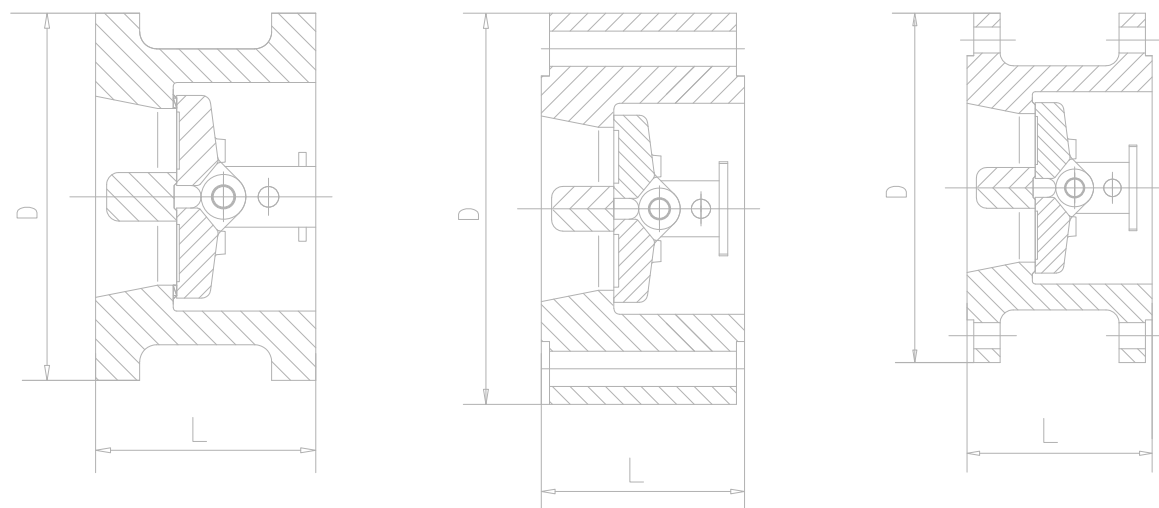
Optional Body Material:

A105/WCC, A352 LCB/LCC, A351 CF8/CF3/CF8M/CF3M, A890 4A/5A/6A, B148 C95800, Alloy Steel ect..

Contributing to safer and smarter pipe network flow control

DUAL PLATE CHECK VALVE

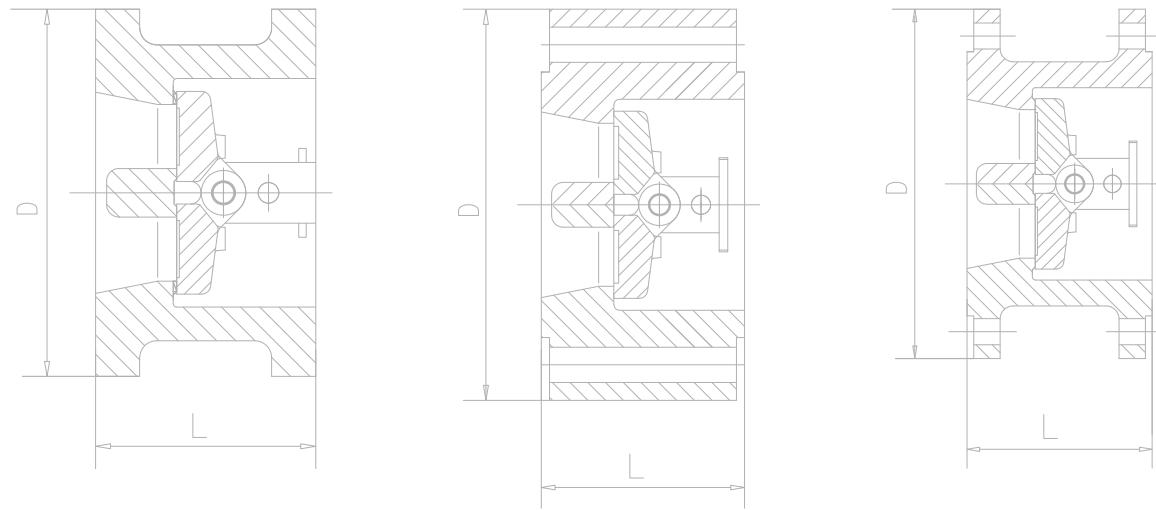




Remark: "/in tablet are non-standard size, please confirm with KAMROO

		CLASS 150			CLASS 300		
DN	NPS	L	D	Weight (kg)	L	D	Weight (kg)
50	2	60	103	2	60	110	3
65	2 1/2	67	122	3	67	128	4
80	3	73	135	4	73	147	6
100	4	73	173	6	73	179	8
150	6	98	220	13	98	249	18
200	8	127	277	25	127	305	31
250	10	146	337	39	146	359	51
300	12	181	407	54	181	420	77
350	14	184	448	80	222	483	117
400	16	191	512	117	232	537	190
450	18	203	547	138	264	594	200
500	20	219	604	163	292	652	265
600	24	222	715	331	318	772	410
650	26	222	770	380	356	831	580
700	28	305	827	400	368	895	600
750	30	305	878	440	368	949	680
800	32	305	935	580	368	1003	990
900	36	368	1045	660	483	1113	1050
1000	40	432	1158	890	546	1110	1400
1050	42	432	1213	980	568	1161	1520
1100	44	432	1274	1170	-	-	-
1200	48	524	1380	1450	629	1320	2250

		CLASS 600			CLASS 900		
DN	NPS	L	D	Weight (kg)	L	D	Weight (kg)
50	2	60	110	4	70	140	8
65	2 1/2	67	128	5	83	162	11
80	3	73	147	8	83	165	14
100	4	79	191	11	102	204	20
150	6	137	264	26	159	286	42
200	8	165	318	55	206	356	84
250	10	213	398	95	241	432	145
300	12	229	455	140	292	495	220
350	14	273	490	223	356	518	350
400	16	305	562	360	384	572	470
450	18	362	610	395	451	635	605
500	20	368	680	518	451	695	820
600	24	438	786	836	495	835	1050
650	26	457	863	980	533	879	1200
700	28	483	910	1250	572	943	1460
750	30	505	967	1420	635	1006	1600
800	32	533	1020	1700	660	1070	2050
900	36	635	1126	2200	718	1195	2607
1000	40	660	1153	2650	762	1246	2930
1050	42	702	1215	3135	787	1296	3310
1100	44	-	-	-	-	-	-
1200	48	787	1386	3755	851	1483	4415



		CLASS 1500			CLASS 2500		
DN	NPS	L	D	Weight (kg)	L	D	Weight (kg)
50	2	70	140	8	70	143	10
65	2 1/2	83	162	11	83	166	18
80	3	83	172	19	86	194	26
100	4	102	207	26	105	232	40
150	6	159	280	68	159	315	90
200	8	206	350	130	206	385	150
250	10	248	433	210	254	474	240
300	12	305	518	384	305	547	440
350	14	356	576	550	-	-	-
400	16	384	639	635	-	-	-
450	18	468	701	790	-	-	-
500	20	533	753	1275	-	-	-
600	24	559	897	2710	-	-	-